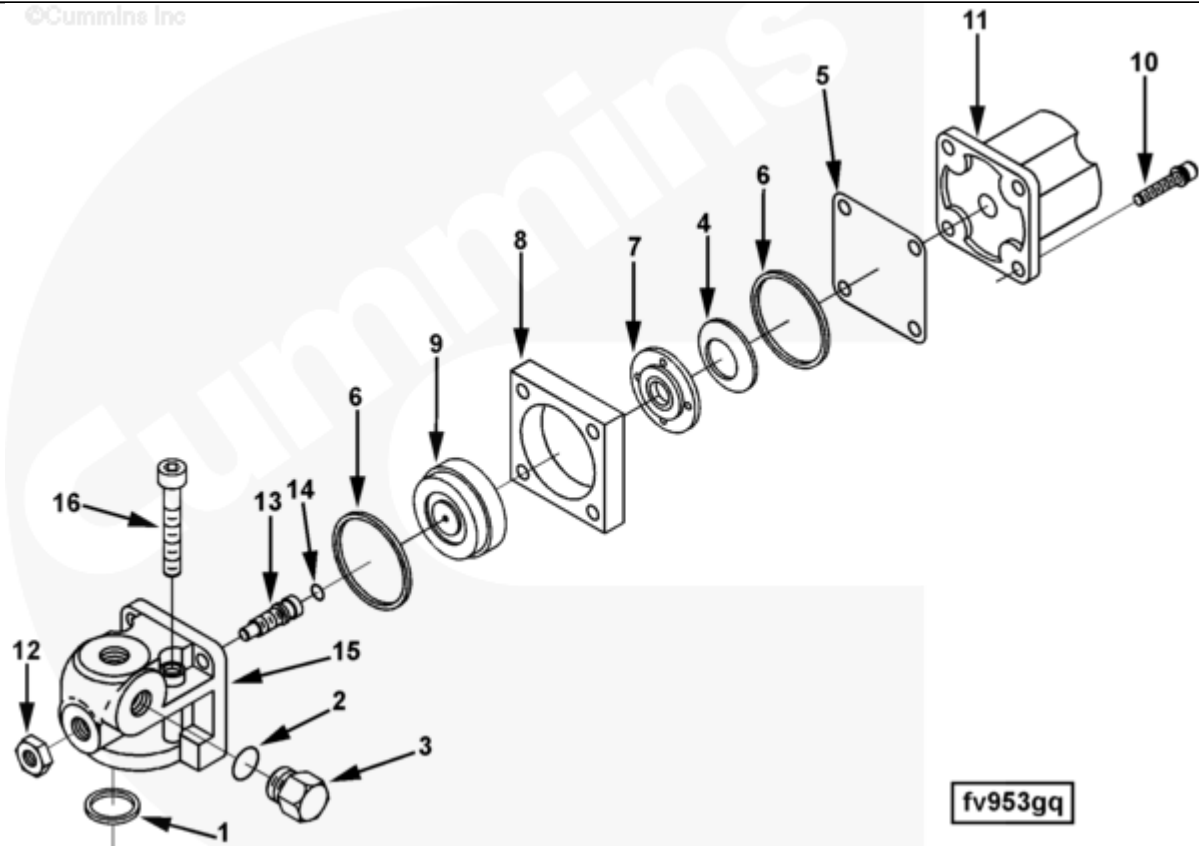




Parts Catalog - Option Detail

Electronic Parts Catalog - Option Detail				
Option	Group	Graphic	Film Card	Date
FV9269-02	05.06	fv953gq	Z	07-JAN-02
Engines	6C8.3, C GAS PLUS CM556, G8.3, G8.3 CM558, GTA8.3 CM558, ISC CM2150, ISC CM554, ISC CM850, ISC8.3 CM2250, ISC8.3 G CM2180 C101, ISL CM2150, ISL CM554, ISL CM850, ISL G CM2180, ISL8.9 CM2150 L110, ISL8.9 CM2880 L112, ISL9 CM2150 SN, ISL9 CM2250, ISL9 CM2350 L101, ISL9 CM2350 L111, ISLE4 CM850, L GAS PLUS CM556, L8.9, L8.9 L121, L8.9G CMOH2.0 L125B, L9 CM2350 L116B, L9 CM2350 L119B, L9 CM2350 L120C, L9 CM2350 L123B, L9.3 L105, L9.5 L117, L9N CM2380 L124B, QSC8.3 CM2250, QSC8.3 CM2880 C102, QSC8.3 CM554, QSC8.3 CM850(CM2850), QSL9 CM2250, QSL9 CM2250 L115, QSL9 CM2350 L102, QSL9 CM2350 L107, QSL9 CM2350 L118, QSL9 CM2350 L122, QSL9 CM554, QSL9 CM850(CM2850), QSL9 G CM558, QSL9 M CM2250 L106, QSL9.3 CM2880 L113			



[SMALL](#) | [MEDIUM](#) | [LARGE](#)

Cart	Ref No	Part Number	Part Description	Required	Remarks
View My Cart					
		FV9269-02	Fuel Shut-Off Valve		
					Valve activation: Electrical
					Voltage: 12

					Shutoff Valve Supplier:
					Cummins
					Includes wiring harness (Not
					Shown)
<input type="checkbox"/>	1	154087	Rectangular Ring Seal	1	
<input type="checkbox"/>		3629114	Threaded Plug	1	
<input type="checkbox"/>	2	3037236	O-Ring Seal	1	Ref. SPT 97T10
	3	3629113	Threaded Plug	1	
<input type="checkbox"/>		4069998	Fuel Shut-Off Valve	1	
<input type="checkbox"/>	4	129768	Valve Spring	1	
<input type="checkbox"/>	5	129839	Shut-Off Valve Shield	1	
<input type="checkbox"/>	6	129888	Rectangular Ring Seal	2	
<input type="checkbox"/>	7	196057	Valve Disc	1	
<input type="checkbox"/>	8	3034451	Actuator Housing	1	
<input type="checkbox"/>	9	3056009	Actuator Disc	1	
<input type="checkbox"/>	10	3065944	Captive Washer Cap Screw	4	#10 - 24 X 1"
<input type="checkbox"/>	11	3098354	Solenoid	1	
		4069997	Fuel Shut-Off Valve Body	1	
<input type="checkbox"/>	12	S 258	Heavy Hexagon Jam Nut	1	1/4 - 20 UNC.
<input type="checkbox"/>	13	3067341	Shut-Off Valve Shaft	1	
<input type="checkbox"/>	14	3279794	O-Ring Seal	1	
	15	4069981	Shut-Off Valve Body	1	
<input type="checkbox"/>	16	4070129	Socket Head Cap Screw	2	
<input type="checkbox"/>		4078983	Wiring Harness	1	(Not Shown)